

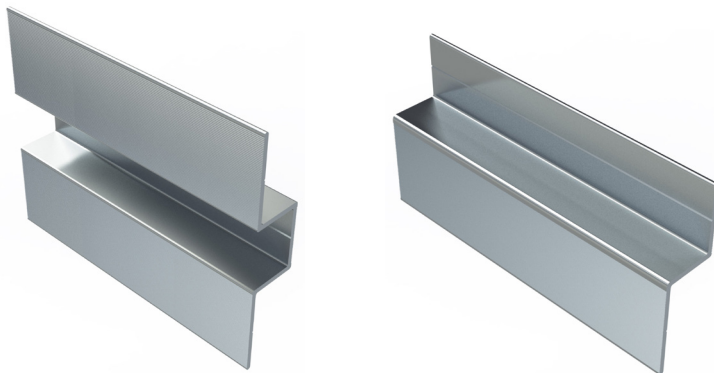
Application

The NV1 system can be configured with horizontally mounted Omega or Zed rails to accommodate through hole facade panel attachment when irregularly sized panels are used, or if irregularly spaced building studs are encountered (example: studs not at 16" on center).

Omega and Zed rails are always attached over the NV1 system.

System Components

Rails



Omega Rail

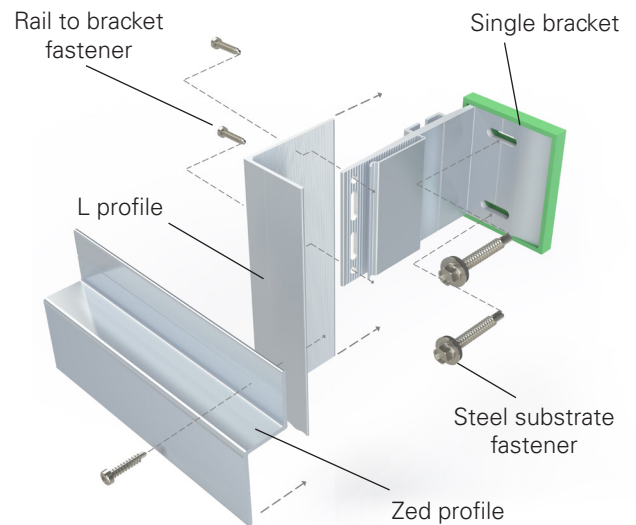
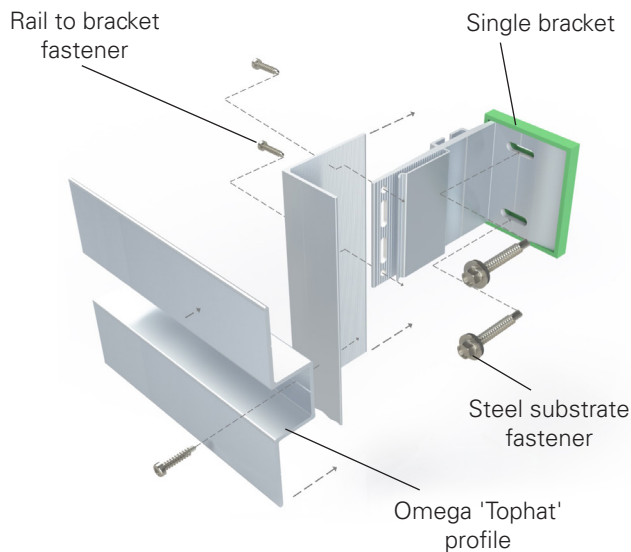
Zed Rail

Fastener



Bracket to Rail
#10 x 3/4"

Typical Installation Orientation



Installation Sequence



Installation locations must be in accordance with approved shop drawings.

Step 1 - NV1 System Installation

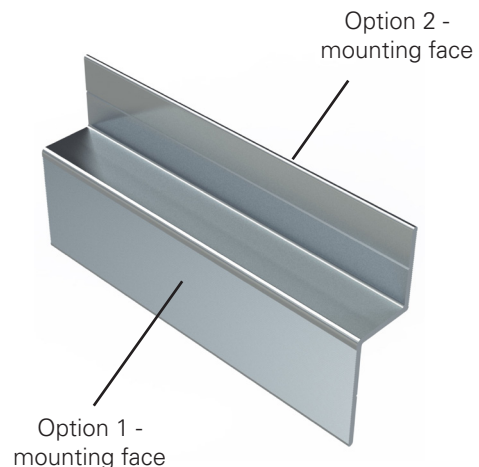
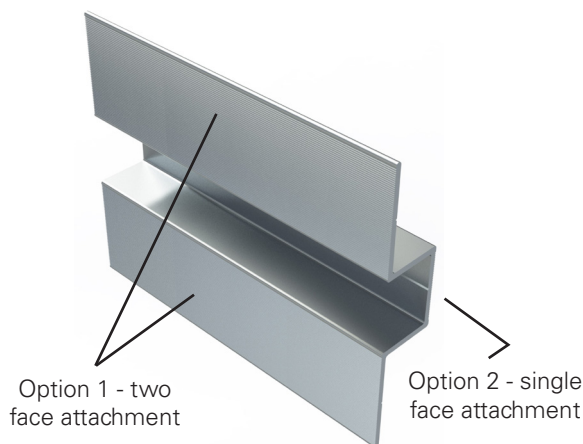
NV1 System must be installed first.
Refer to NV1 System Installation Guide

Step 2 - Orientation of Omega or Zed rails within NV1 System

Rail attachment configuration options:

A. Omega rails can be attached to NV1 vertical rails in two configuration options, as defined by shop drawings or architectural details. This allows attachment through the two outside mounting flanges of the Omega profile, or through the profile's middle web.

B. Zed rails can be attached to NV1 vertical rails in two configuration options, as defined by shop drawings or architectural details. This allows attachment through either of the two mounting faces.



Step 3 - Leveling rail within NV1 System.

Ensure that Omega or Zed rails are leveled prior to attachment.

Step 4

Using #10 x 3/4" fasteners, attach Omega or Zed rail to NV1 vertical rails in locations specified on the shop drawings.