

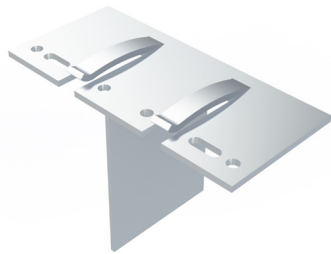
Application

The NH2 system is used to attach horizontal rails which allow for direct facade attachment along the length of the horizontal rail. This provides a means of facade attachment if building wall studs are irregularly spaced (example: not at 16" on center), or if facade panels are of irregular sizes. The NH2 system, with an attached horizontal rail also allows other rails (Omega or Zed) to be vertically installed for use in certain wall assembly applications.

NH2 is always attached over the NV1 system.

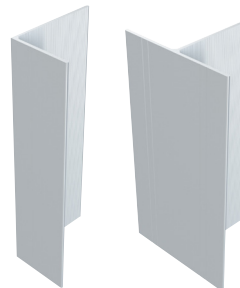
System Components

Adaptor



NH2 Vertical to Horizontal Adaptor

Rails



L Rail

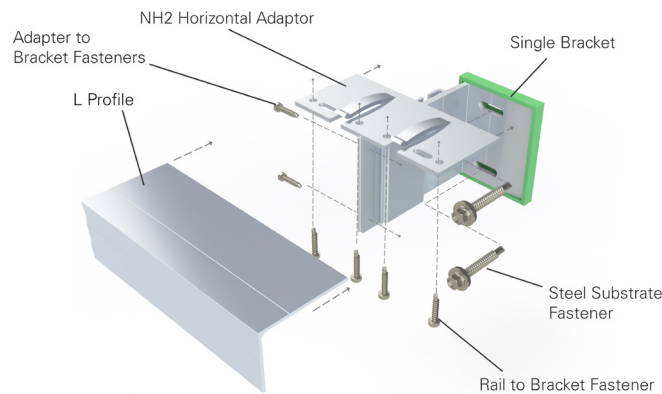
T Rail

Fasteners



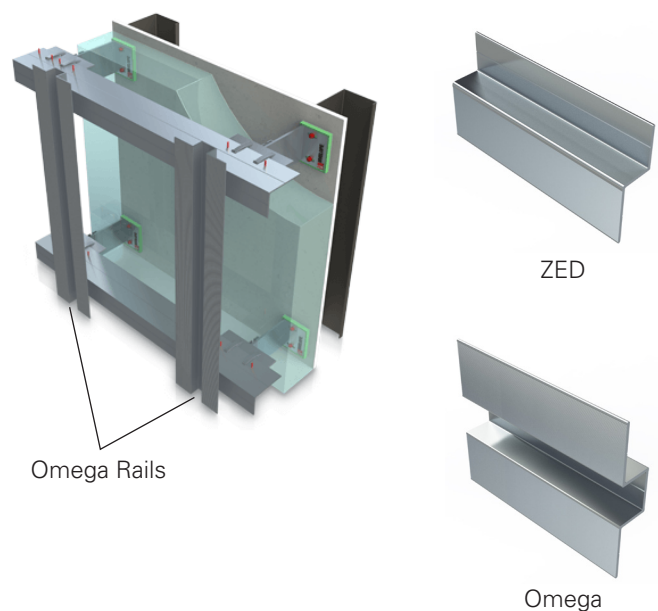
Bracket to Rail
#10 x 3/4"

Typical Installation Orientation



Additional Configuration

(showing vertical rail attachment using Omega or Zed rails)



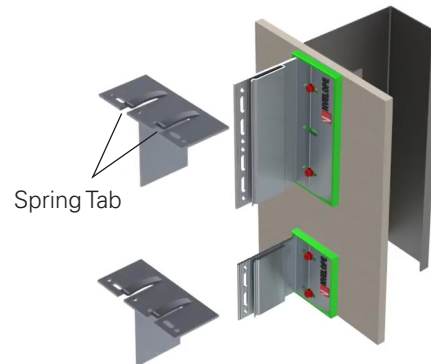
Installation Sequence



Installation locations must be in accordance with approved shop drawings.
NV1 system must be installed first, refer to NV1 Installation Guide.

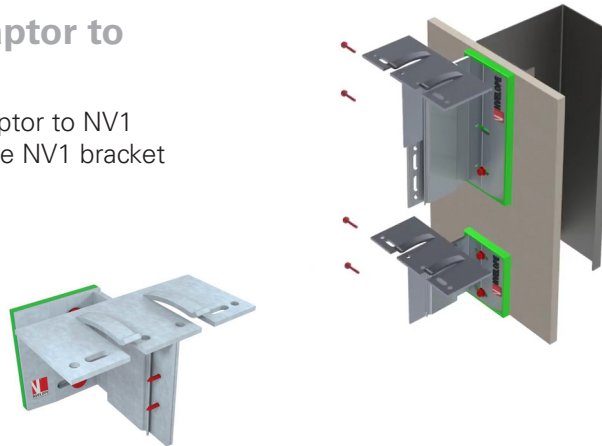
Step 1 - Installation of NH2 Adaptor into NV1 System Brackets

Install NH2 vertical to horizontal adaptor into helping hand of NV1 system brackets of wall assembly.
Note orientation of two "spring tabs" of NH2 adaptor when installed in NV1 bracket.



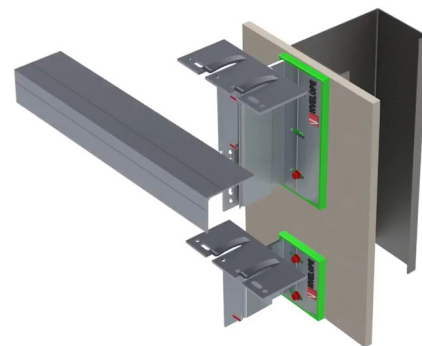
Step 2 - Attachment of NH2 Adaptor to NV1 System Brackets

Using two #10 x 3/4" fasteners, attach NH2 adaptor to NV1 bracket through the round mounting holes of the NV1 bracket and secure into NH2 adaptor.



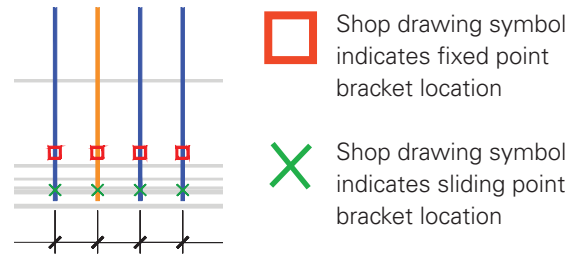
Step 3 - Installation of Horizontal Rail into NH2 Adaptor

Install rail in accordance with orientation defined in shop drawings, into two "spring tabs" of NH2 adaptor.



Step 4 - Attachment of Horizontal Rail to NH2 Adaptor

In accordance with project shop drawings identify NV1 system brackets designated as "sliding point" or "fixed point".



Typical Shop Drawing

For fixed point brackets:

Install #10 x 3/4" self drilling fasteners, in quantity defined by shop drawings through round holes of NH2 adaptor, and secure into rail.

For sliding point brackets:

Install #10 x 3/4" self drilling fasteners, in quantity defined by shop drawings through slots of NH2 adaptor, and secure into rail.

