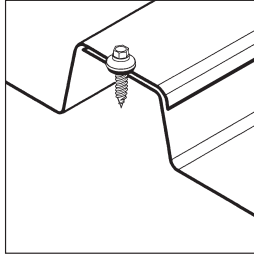


Application

- Panel to panel side lap, end lap, and other stitch applications



Features and Benefits

- High hex washer head provides driving stability
- Sharp point for fast installation
- Assembled control seal washer
- VistaCoat® premium coating system
- VistaCoat® limited warranty

Product Selection

Material No.	Fastener Length	Thread* Length	Description	Carton Wt. (lbs.)	Carton Qty.
1302309	3/4"	Full	WGL-#12x3/4-CS1/2	27	3000

Plain product bagged 250 pieces, unless otherwise noted.

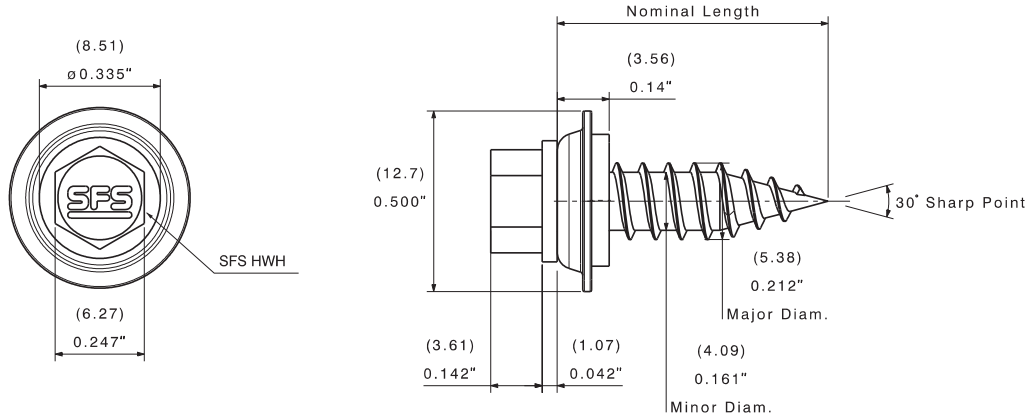
*Note - Thread length measured from tip of the drill point to end of the threads.

The details stated are results of tests and/or calculations and therefore are non-binding and do not represent guaranties or warranted characteristics for not specified applications. All calculations therefore have to be checked and approved by the responsible planner ahead of execution. The user is responsible to assure compliance with all applicable laws and regulations.



Woodgrip™ Lap Control Seal Panel to Panel Fastener

CAD Drawing: WGL-#12x3/4-CS1/2-RevB



Product Specifications

Diameter:	#12 (5.38mm)	Drill Point:	Sharp point
Threads Per Inch:	14	Drill Capacity:	2x24 ga.
Head Style:	1/4" dia. HWH AF (6.27mm)	Thread Major Dia:	0.212" (5.38mm)
Washer:	1/2" Galvanized and EPDM bond seal (12.7mm)	Thread Minor Dia:	0.161" (4.09mm)

Performance Data^{1,2}

Material Strength

Tensile	2100 lbf / 9341 N
Shear	1800 lbf / 8007 N
Torsional	88 lbf-in / 9.94 N·m

Pull Over Strength

29 Ga (0.3mm):	577 lbf / 2567 N
26 Ga (0.5mm):	637 lbf / 2834 N
24 Ga (0.6mm):	800 lbf / 3559 N

¹ Pull over strength values are based on metal panel ksi values: 29 ga. (100 ksi), 26 ga. (70 ksi), 24 ga. (70 ksi).

² SFS [S-120]

Installation and Application Considerations

Tools: 0–2500 rpm screw gun equipped with depth sensing nose piece.

Use of impact guns or hammer drills is not recommended.

Metric values are approximate conversions.

The details stated are results of tests and/or calculations and therefore are non-binding and do not represent warranties or warranted characteristics for not specified applications. All calculations therefore have to be checked and approved by the responsible planner ahead of execution. The user is responsible to assure compliance with all applicable laws and regulations.

