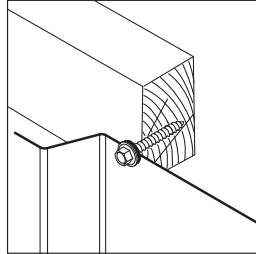


## Application

- Metal panel to wood



## Features and Benefits

- High hex washer head provides driving stability
- Sharp point for fast installation
- Assembled control seal washer
- VistaCoat® premium coating system
- VistaCoat® limited warranty

## Product Selection

Material No.	Fastener Length	Thread* Length	Description	Carton Wt. (lbs.)	Carton Qty.
1300564	1"	Full	WG-#9x1-CS1/2	26	3000
1300771	1-1/2"	Full	WG-#9x1-1/2-CS1/2	27	2500
1301007	2"	Full	WG-#9x2-CS1/2	27	2000
1301151	2-1/2"	Full	WG-#9x2-1/2-CS1/2	24	1500
1302309	3"	Full	WG-#9x3-CS1/2	18	1000

Plain product bagged 250 pieces, unless otherwise noted.

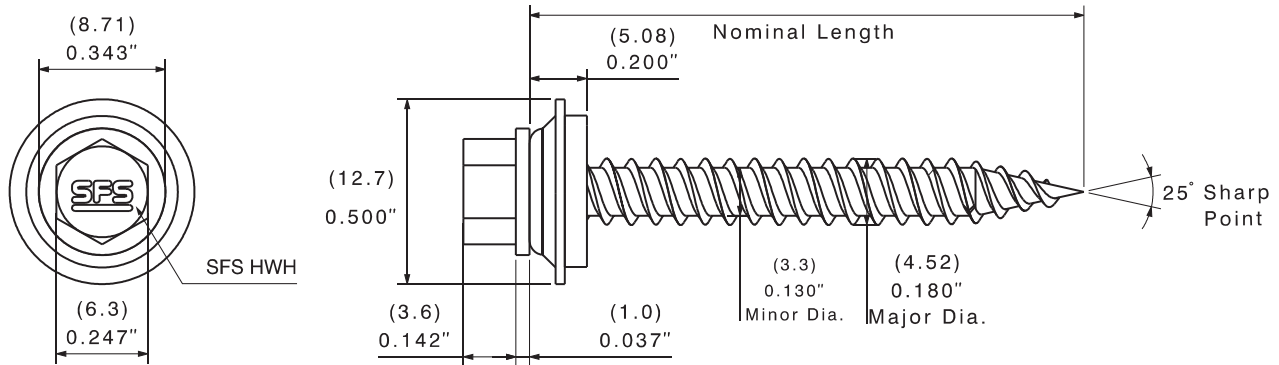
\*Note - Thread length measured from tip of the drill point to end of the threads.

The details stated are results of tests and/or calculations and therefore are non-binding and do not represent guaranties or warranted characteristics for not specified applications. All calculations therefore have to be checked and approved by the responsible planner ahead of execution. The user is responsible to assure compliance with all applicable laws and regulations.



# #9–15 Woodgrip Metal to Wood Fastener

## CAD Drawing: WG-#9xL-CS1/2-RevC



## Product Specifications

Diameter:	#9 (4.52mm)	Drill Point:	Sharp point
Threads Per Inch:	15	Drill Capacity:	24 ga. (0.6mm)
Head Style:	1/4" dia. HWH AF (6.3mm)	Thread Major Dia:	0.180" (4.52mm)
Washer:	1/2" Galvanized and EPDM control seal (12.7mm)	Thread Minor Dia:	0.130" (3.3mm)

## Performance Data<sup>1,2,3</sup>

Material Strength	Pull Out Strength	Pull Over Strength
Tensile 1751 lbf / 7789 N	<b>Wood: SPF</b>	
Shear 1223 lbf / 5440 N	1" (25.4mm) penetration: 542 lbf / 2411 N	<b>29 Ga (0.3mm):</b> 577 lbf / 2567 N
Torsional 60 lbf-in / 6.78 N-m	1-1/2" (38.1mm) penetration: 748 lbf / 3327 N	<b>26 Ga (0.5mm):</b> 637 lbf / 2834 N
		<b>24 Ga (0.6mm):</b> 800 lbf / 3559 N

<sup>1</sup> Pull out strength values may vary from tested loads depending upon specific wood density variations.

<sup>2</sup> Pull over strength values are based on metal panel ksi values: 29 ga. (100 ksi), 26 ga. (70 ksi), 24 ga. (70 ksi).

<sup>3</sup> SFS [4899.12, 4954.12, 4381.07]

## Installation and Application Considerations

Tools: 0–2500 rpm screw gun equipped with depth sensing nose piece.

**Use of impact guns or hammer drills is not recommended.**

**#9 Woodgrip is not recommended for installations into less than 1" of wood.**

Fasteners installed in less than 1" of solid wood may have an increased potential for sealing or connection failure over time. This may be due to the fasteners being stripped out during installation and/or due to the lack of adequate wood fiber material to hold the fastener in place during thermal movement cycles or other forces which may be exerted upon the connection.

Metric values are approximate conversions.

The details stated are results of tests and/or calculations and therefore are non-binding and do not represent guaranties or warranted characteristics for not specified applications. All calculations therefore have to be checked and approved by the responsible planner ahead of execution. The user is responsible to assure compliance with all applicable laws and regulations.

