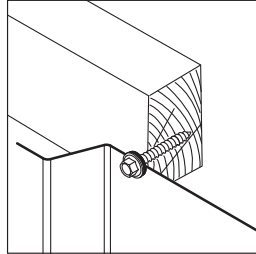


Application

- Metal panel to wood



Features and Benefits

- High hex washer head for driving stability
- Sharp point for fast installation
- Extra aggressive thread design; superior resistance to strip-out
- Improved pull out values over other wood screws
- Assembled premium bond seal washer
- VistaCoat® premium coating system
- VistaCoat® limited warranty

Product Selection

Material No.	Fastener Length	Thread* Length	Description	Carton Wt. (lbs.)	Carton Qty.
1599104	1"	Full	WGXC-#12x1-GB1/2	22	2500
1599197	1-1/2"	Full	WGXC-#12x1-1/2-GB1/2	22	2000
1599334	2"	Full	WGXC-#12x2-GB1/2	21	1500
1599401	2-1/2"	Full	WGXC-#12x2-1/2-GB1/2	16	1000

Plain product bagged 250 pieces, unless otherwise noted.

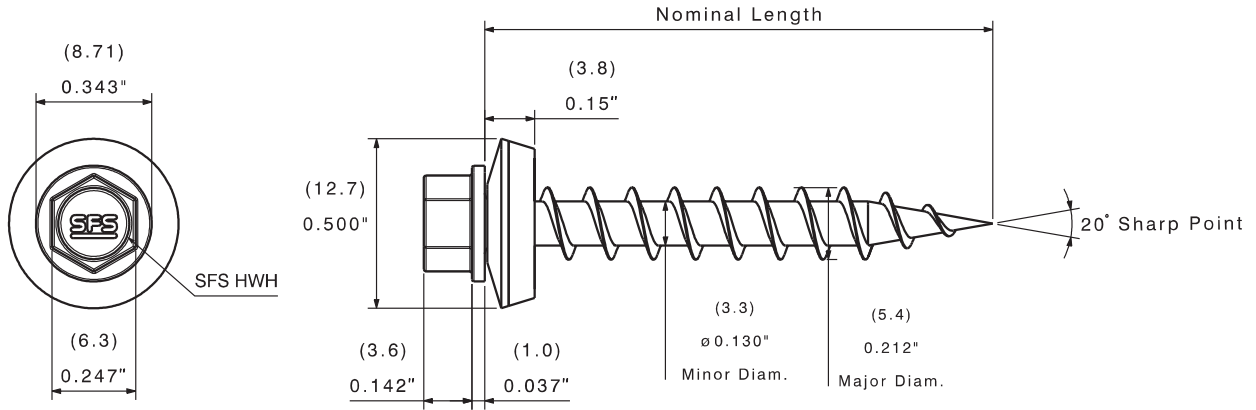
*Note - Thread length measured from tip of the drill point to end of the threads.

The details stated are results of tests and/or calculations and therefore are non-binding and do not represent guaranties or warranted characteristics for not specified applications. All calculations therefore have to be checked and approved by the responsible planner ahead of execution. The user is responsible to assure compliance with all applicable laws and regulations.



#12-8 Woodgrip XG Bond Seal Metal to Wood Fastener

CAD Drawing: WGXC-#12xL-GB1/2-RevA



Product Specifications

Diameter:	#12 (5.4mm)	Drill Point:	Sharp point
Threads Per Inch:	8	Drill Capacity:	24 ga. (0.6mm)
Head Style:	1/4" dia. HWH AF (6.3mm)	Thread Major Dia:	0.212" (5.4mm)
Washer:	1/2" galvanized and EPDM bond seal (12.7mm)	Thread Minor Dia:	0.130" (3.3mm)

Performance Data^{1,2,3}

Material Strength

Tensile	1751 lbf / 7789 N
Shear	1223 lbf / 5440 N
Torsional	60 lbf-in / 6.78 N-m

Pull Out Strength

SPF 1" penetration:	583 lbf / 2593 N
SPF 1-1/2" penetration:	1029 lbf / 4577 N
1x4" Pine:	590 lbf / 2624 N
3/4" Plywood:	583 lbf / 2593 N
5/8" Plywood:	368 lbf / 1637 N
1/2" Plywood:	357 lbf / 1588 N
23/32" OSB:	412 lbf / 1833 N
19/32" OSB:	336 lbf / 1495 N
15/32" OSB:	225 lbf / 1001 N

Pull Over Strength

29 Ga (0.3mm):	577 lbf / 2567 N
26 Ga (0.5mm):	637 lbf / 2834 N
24 Ga (0.6mm):	800 lbf / 3559 N

Strip out values average over 30% higher than standard Woodgrips.

¹ Pull out strength values may vary from tabulated loads depending upon specific wood density variations.

² Pull over strength values are based on metal panel ksi values: 29 ga. (100 ksi), 26 ga. (70 ksi), 24 ga. (70 ksi).

³ SFS [4899.12, 4954.12, 4381.07]

Installation and Application Considerations

Tools: 0–2500 rpm screw gun equipped with depth sensing nose piece.

Use of impact guns or hammer drills is not recommended.

Fasteners installed in less than 1" of solid wood may have an increased potential for sealing or connection failure over time. This may be due to the fasteners being stripped out during installation and/or due to the lack of adequate wood fiber material to hold the fastener in place during thermal movement cycles or other forces which may be exerted upon the connection.

Metric values are approximate conversions.

The details stated are results of tests and/or calculations and therefore are non-binding and do not represent warranties or warranted characteristics for not specified applications. All calculations therefore have to be checked and approved by the responsible planner ahead of execution. The user is responsible to assure compliance with all applicable laws and regulations.

