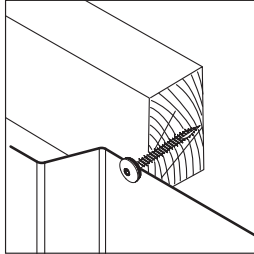


Application

- Metal panel to wood exterior sidewall applications



Features and Benefits

- Low profile head for improved aesthetics
- Type 17 milled point for fast installation
- Drive stability with T25 drive
- Assembled bond seal washer

Product Selection

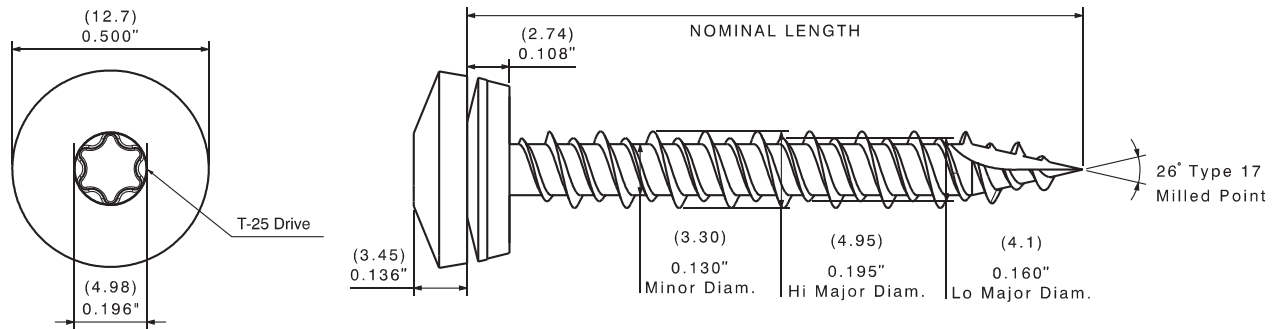
Material No.	Fastener Length	Thread* Length	Description	Carton Wt. (lbs.)	Carton Qty.
1358147	1"	Full	WGLPMP-#10x1-PN-T25-GB1/2	26	3000
1293114	1-1/2"	Full	WGLPMP-#10x1-1/2-PN-T25-GB1/2	28	2500
1466769	2"	Full	WGLPMP-#10x2-PN-T25-GB1/2	32	2500

Product bagged 250 pieces, unless otherwise noted.

*Note - Thread length measured from tip of the drill point to end of the threads.

The details stated are results of tests and/or calculations and therefore are non-binding and do not represent guaranties or warranted characteristics for not specified applications. All calculations therefore have to be checked and approved by the responsible planner ahead of execution. The user is responsible to assure compliance with all applicable laws and regulations.

CAD Drawing: WGLPMP-#10xL-PN-T25-RevD



Product Specifications

Diameter:	#10 (4.95mm)	Drill Point:	Type 17 milled point
Threads Per Inch:	15	Drill Capacity:	24 ga. (0.6mm)
Head Style:	1/2" dia. Pan Head (12.7mm)	Thread Major Dia:	0.195" (4.95mm)
Drive:	T25	Thread Minor Dia:	0.130" (3.30mm)
Washer:	1/2" galvanized and EPDM bond seal (12mm)		

Performance Data^{1,2,3}

Material Strength	Pull Out Strength		Pull Over Strength	
	Wood: SPF			
Tensile 1751 lbf / 7789 N	1" (25.4mm) penetration:	524 lbf / 2331 N	29 Ga (0.3mm):	577 lbf / 2567 N
Shear 1223 lbf / 5440 N	1-1/2" (38.1mm) penetration:	820 lbf / 3648 N	26 Ga (0.5mm):	637 lbf / 2834 N
Torsional 60 lbf·in / 6.78 N·m			24 Ga (0.6mm):	800 lbf / 3559 N

¹ Pull out strength values may vary from tabulated loads depending upon specific wood density variations.

² Pull over strength values are based on metal panel ksi values: 29 ga. (100 ksi), 26 ga. (70 ksi), 24 ga. (70 ksi).

³ SFS [4899.12, 4954.12, 4381.07]

Installation and Application Considerations

Tools: 0–2500 rpm screw gun equipped with depth sensing nose piece.

Use of T25 drive bit is required. Utilizing the special SFST25 drive bit (#514261) is recommended for superior stability during the installation process.

Use of impact guns or hammer drills is not recommended.

#10 Woodgrip Low Profile HiLo is not recommended for installation into less than 1" of wood.

Fasteners installed in less than 1" of solid wood may have an increased potential for sealing or connection failure over time. This may be due to the fasteners being stripped out during installation and/or due to the lack of adequate wood fiber material to hold the fastener in place during thermal movement cycles or other forces which may be exerted upon the connection.

Metric values are approximate conversions.

The details stated are results of tests and/or calculations and therefore are non-binding and do not represent guaranties or warranted characteristics for not specified applications. All calculations therefore have to be checked and approved by the responsible planner ahead of execution. The user is responsible to assure compliance with all applicable laws and regulations.