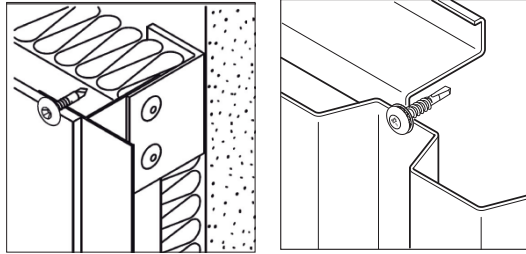


Application

- Facade Panel to metal
- Metal to metal



Features and Benefits

- Corrosion resistant 300 series stainless
- Low profile dome head for aesthetic installed appearance
- Delivers ultimate performance in medium gauge applications
- Precision cold forged carbon steel point assures point strength and fast drilling performance through high strength steel and nested purlins.
- Color matched Vista spray available to blend with facade panel

Product Selection

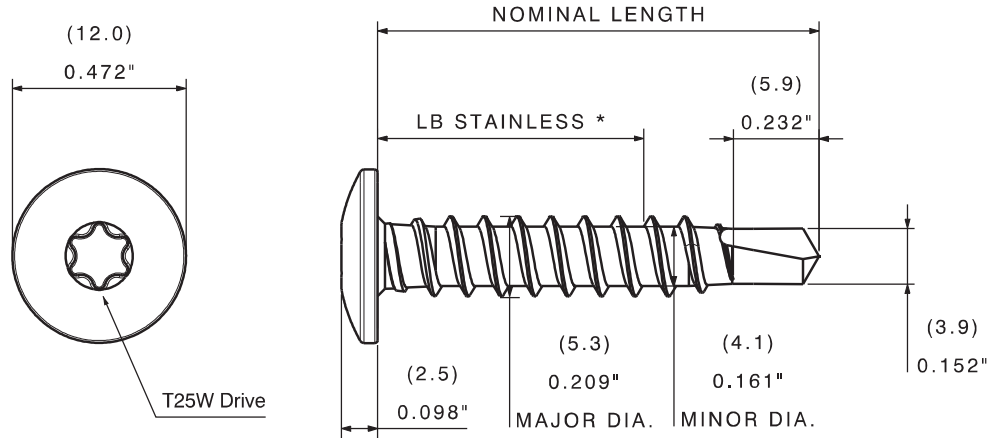
Material No.	Fastener Length		Load Bearing Length		Description	Carton Wt. (lbs.)	Carton Qty.
	(in)	(mm)	(in)	(mm)			
1271253	1-3/16	30	19/32	15	SX3/15-D12-5.5x30	3	250
1377511	2-1/8	55	1-37/64	40	SX3/40-D12-5.5x55	4	250

Dimensions in inches are approximate conversions.

Note: Fasteners are available with washer. Inquire with SFS about availability.

The details stated are results of tests and/or calculations and therefore are non-binding and do not represent guaranties or warranted characteristics for not specified applications. All calculations therefore have to be checked and approved by the responsible planner ahead of execution. The user is responsible to assure compliance with all applicable laws and regulations.

CAD Drawing: SX3-D12 Bi-Met 300 R1



* - LB Stainless refers to the load-bearing stainless steel portion of the fastener. The application thickness, including the substrate, should never exceed this length to ensure structural integrity of the fastener

Product Specifications

Diameter:	#12 (5.3mm)	Drill Point:	SD2
Threads Per Inch:	11	Drill Capacity:	0.060" (1.5mm) – 0.118" (3.0mm) [Up to .125" (3.2mm) Aluminum]
Head Style:	0.472" (12.0mm) Dome Head	Thread Major Dia:	0.209" (5.3mm)
Drive:	T25W	Thread Minor Dia:	0.161" (4.1mm)

Performance Data¹

Material Strength	Pull Out Strength	
	Steel	Aluminum
Tensile 2442 lbf / 10863 N	12 Ga (2.7mm): 1715 lbf / 7629 N	2.2mm L or T Rail (0.087")*: 672 lbf / 2989 N
Shear 1620 lbf / 7206 N	14 Ga (1.9mm): 1032 lbf / 4591 N	2.4mm Omega or Zed Rail (0.094")*: 590 lbf / 2624 N
Torsional 80 lbf*in / 9.04 N*m	16 Ga (1.5mm): 696 lbf / 3096 N	2.5mm L or T Rail (0.098")*: 800 lbf / 3559 N
		1/8" 6063-T5 (3.2mm): 1183 lbf / 5262 N

¹ SFS 5473.17

* - Values are only valid for aluminum rails supplied by SFS

Installation and Application Considerations

Install fasteners with 0-2000 RPM screw gun equipped with depth sensing nose piece.

Use of T25W drive bit is required.

Metric values are approximate conversions.

The details stated are results of tests and/or calculations and therefore are non-binding and do not represent guaranties or warranted characteristics for not specified applications. All calculations therefore have to be checked and approved by the responsible planner ahead of execution. The user is responsible to assure compliance with all applicable laws and regulations.