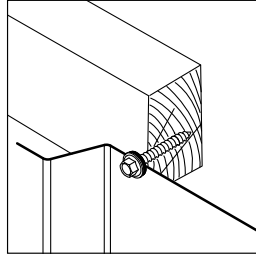


## Application

- Metal panel to wood



## Features and Benefits

- High hex washer head provides driving stability
- Type 17 milled point for fast installation
- Assembled bond seal washer
- VistaCoat® premium coating system
- VistaCoat® limited warranty

## Product Selection

Material No.	Fastener Length	Thread* Length	Description	Carton Wt. (lbs.)	Carton Qty.
1301370	1"	Full	WGHLMP-#10x1-GB1/2	26	3000
1301510	1-1/2"	Full	WGHLMP-#10x1-1/2-GB1/2	28	2500
1249506	2"	Full	WGHLMP-#10x2-GB1/2	26	2000
1301884	2-1/2"	Full	WGHLMP-#10x2-1/2-GB1/2	23	1500
1302003	3"	Full	WGHLMP-#10x3-GB1/2	18	1000

Plain product bagged 250 pieces, unless otherwise noted.

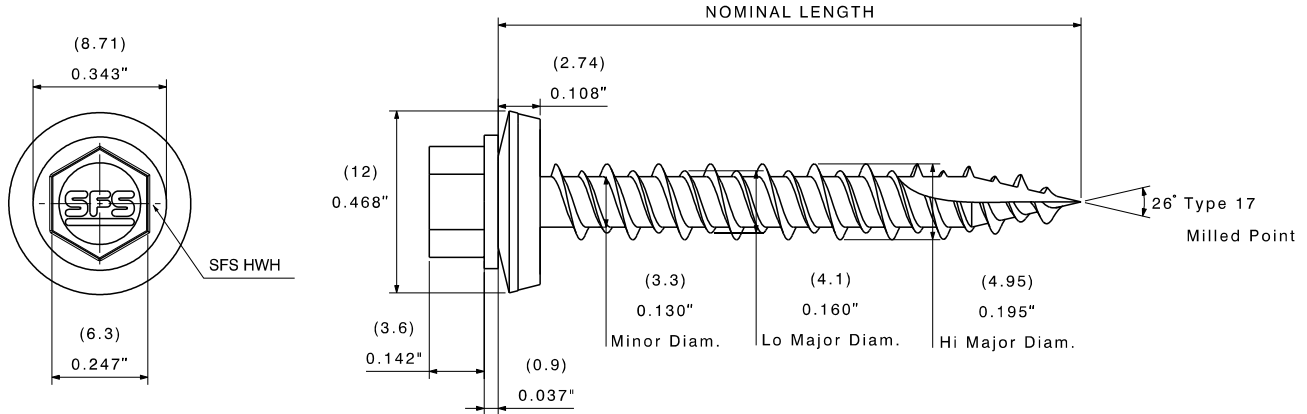
\*Note - Thread length measured from tip of the drill point to end of the threads.

The details stated are results of tests and/or calculations and therefore are non-binding and do not represent guaranties or warranted characteristics for not specified applications. All calculations therefore have to be checked and approved by the responsible planner ahead of execution. The user is responsible to assure compliance with all applicable laws and regulations.



# #10–15 Woodgrip™ HiLo Metal to Wood Fastener

## CAD Drawing: 10-15-GB Woodgrip HiLo-R1



## Product Specifications

Diameter:	#10 (4.95mm)	Drill Point:	Type 17 milled point
Threads Per Inch:	15	Drill Capacity:	24 ga. (0.6mm)
Head Style:	1/4" dia. HWH AF (6.3mm)	Thread Major Dia:	0.195" (4.95mm)
Washer:	15/32" galvanized and EPDM bond seal (12mm)	Thread Minor Dia:	0.130" (3.3mm)

## Performance Data<sup>1,2,3</sup>

### Material Strength

Tensile	1751 lbf / 7789 N
Shear	1223 lbf / 5440 N
Torsional	60 lbf-in / 6.78 N-m

### Pull Out Strength

#### Wood: SPF

1" (25.4mm) penetration:	524 lbf / 2331 N
1-1/2" (38.1mm) penetration:	820 lbf / 3648 N

### Pull Over Strength

<b>29 Ga (0.3mm):</b>	577 lbf / 2567 N
<b>26 Ga (0.5mm):</b>	637 lbf / 2834 N
<b>24 Ga (0.6mm):</b>	800 lbf / 3559 N

<sup>1</sup> Pull out strength values may vary from tested loads depending upon specific wood density variations.

<sup>2</sup> Pull over strength values are based on metal panel ksi values: 29 ga. (100 ksi), 26 ga. (70 ksi), 24 ga. (70 ksi).

<sup>3</sup> SFS [4899.12, 4954.12, 4381.07]

## Installation and Application Considerations

Tools: 0–2500 rpm screw gun equipped with depth sensing nose piece.

**Use of impact guns or hammer drills is not recommended.**

**#10 Woodgrip HiLo is not recommended for installation into less than 1" of wood.**

Fasteners installed in less than 1" of solid wood may have an increased potential for sealing or connection failure over time. This may be due to the fasteners being stripped out during installation and/or due to the lack of adequate wood fiber material to hold the fastener in place during thermal movement cycles or other forces which may be exerted upon the connection.

Metric values are approximate conversions.

The details stated are results of tests and/or calculations and therefore are non-binding and do not represent guarantees or warranted characteristics for not specified applications. All calculations therefore have to be checked and approved by the responsible planner ahead of execution. The user is responsible to assure compliance with all applicable laws and regulations.

