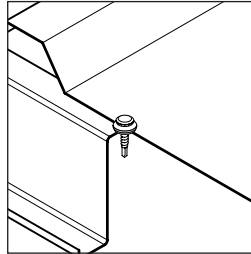


Application

- Facade Panel to metal
- Metal to metal



Features and Benefits

- Corrosion resistant 304 stainless steel head & shank with carbon steel point (bi-met)
- irius® SX stainless fasteners low profile head for aesthetic installed appearance
- Self-drilling point design assures excellent drill performance through high strength steel
- irius® is a patented drive system available in a full range of metal building fasteners
- Color matched Vista spray available to blend with facade panel

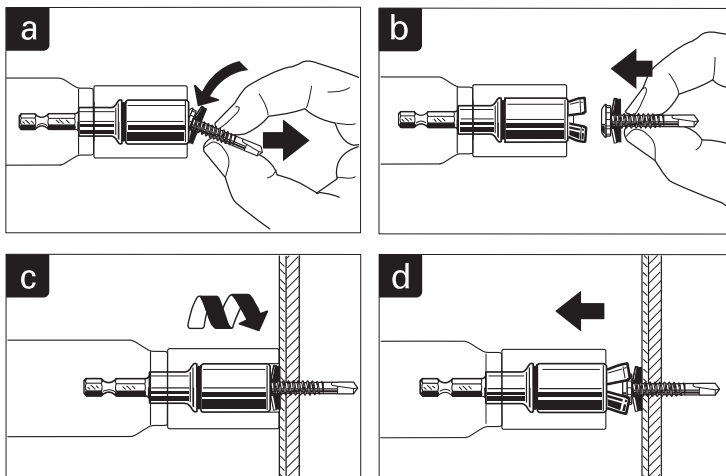
Product Selection

Material No.	Fastener Length		Load Bearing Length		Description	Carton Wt. (lbs.)	Carton Qty.
	(in)	(mm)	(in)	(mm)			
1520212	1-17/64	32	19/32	15	SX3/15-L12-S12-5.5x32	3	250

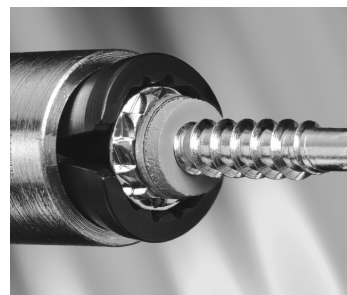
Dimensions in inches are approximate conversions.

Note: Fasteners are available with washer. Inquire with SFS about availability.

How to use the E420 socket for irius® fasteners

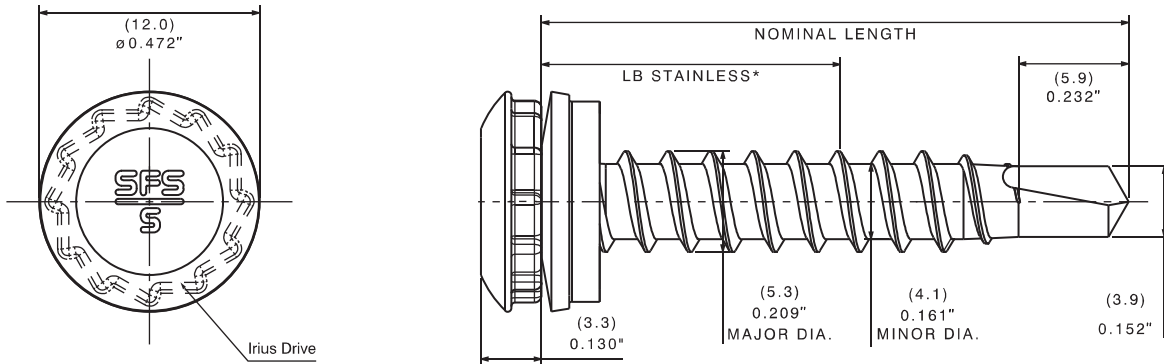


- Pull out the Jaws of the socket
- Insert the irius® (L12) head style fastener
- Setting process
- Pull back tool to open socket jaws



The details stated are results of tests and/or calculations and therefore are non-binding and do not represent guaranties or warranted characteristics for not specified applications. All calculations therefore have to be checked and approved by the responsible planner ahead of execution. The user is responsible to assure compliance with all applicable laws and regulations.

CAD Drawing: SX3-L12 Bi-Met 300-IR



* - LB Stainless refers to the load-bearing stainless steel portion of the fastener.
The application thickness, including the substrate, should never exceed this length to ensure structural integrity of the fastener

Product Specifications

Diameter:	#12 (5.3mm)	Drill Point:	SD2
Threads Per Inch:	11	Drill Capacity:	0.060" (1.5mm) – 0.118" (3.0mm) [Up to .125" (3.2mm) Aluminum]
Head Style:	0.472" (12.0mm) irius® Head	Thread Major Dia:	0.209" (5.3mm)
Drive:	E420 irius®	Thread Minor Dia:	0.161" (4.1mm)

Performance Data¹

Material Strength		Pull Out Strength Steel	Pull Out Strength Aluminum
Tensile	1900 lbf / 8452 N	12 Ga (2.7mm): 1715 lbf / 7629 N	2.2mm L or T Rail (0.087")*: 672 lbf / 2989 N
Shear	1620 lbf / 7206 N	14 Ga (1.9mm): 1032 lbf / 4591 N	2.4mm Omega or Zed Rail (0.094")*: 590 lbf / 2624 N
Torsional	70 lbf·in / 7.91 N·m	16 Ga (1.5mm): 696 lbf / 3096 N	2.5mm L or T Rail (0.098")*: 800 lbf / 3559 N
			1/8" 6063-T5 (3.2mm): 1183 lbf / 5262 N

¹ SFS 5473.17

* - Values are only valid for aluminum rails supplied by SFS

Installation and Application Considerations

Fasteners should provide for a minimum of 3 fully developed threads through the metal substrate.
Install fasteners with 0-2000 RPM screw gun equipped with depth sensing nose piece.
The E420 irius® drive socket (part #0973316) is required.

Use of impact guns or hammer drills is not recommended.

Metric values are approximate conversions.

The details stated are results of tests and/or calculations and therefore are non-binding and do not represent guaranties or warranted characteristics for not specified applications. All calculations therefore have to be checked and approved by the responsible planner ahead of execution. The user is responsible to assure compliance with all applicable laws and regulations.