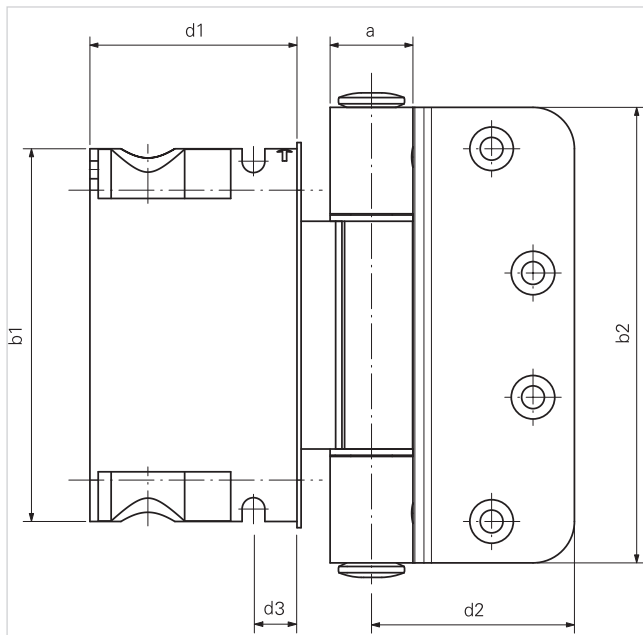


Technical data for hinge

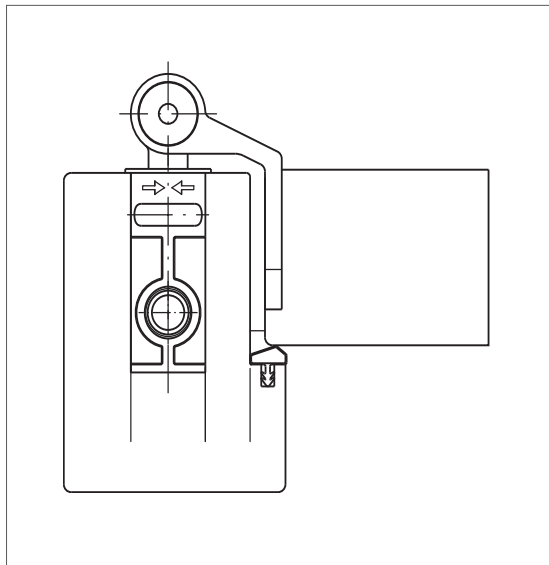
Easy 3D-20-30

SFS intec



a:	20,0 mm
b1:	90,0 mm
b2:	110,0 mm
d1:	50,0 mm
d2:	49,0 mm
d3:	10,5 mm

Application



Material:
 Steel: Carbon Steel
 Zamak
 Plastic: Polyamid
 Aluminium: Anticorodal

Finishing
 Powder coated
 Brased
 Chrome
 Matt Nickel

Corrosion resistance in accordance to standard UNI EN 1670
 min.1000 hours

Test in accordance to RAL Norm

Load capacity per hinge 60 Kg

Designation according to standards UNI EN 1935

3	7	4	1	1	4	0	11
---	---	---	---	---	---	---	----

Product Management:

Signature:

Date 30.06.2011

ISO 9001 : 2008 Quality Management System