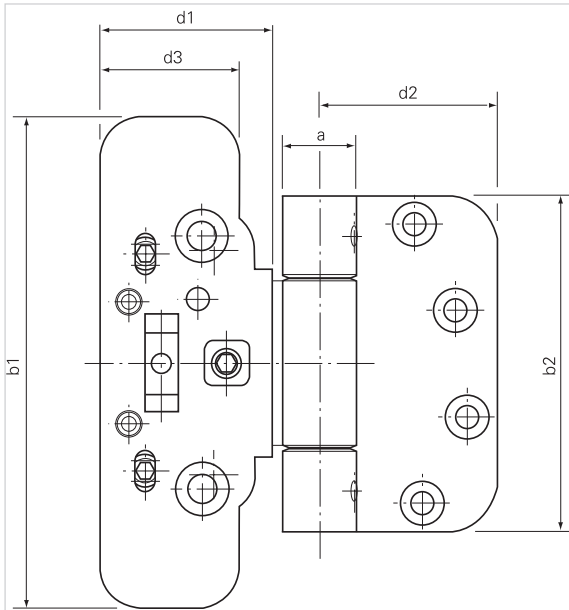


# Technical data for hinge

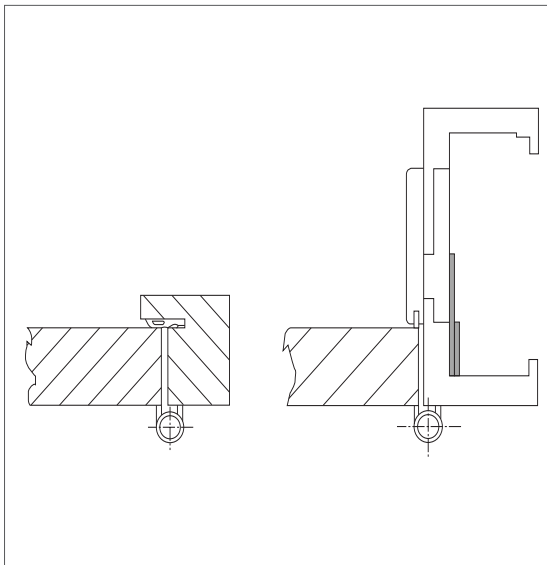
Just 3D-001

**SFS** intec



a:	18,0 mm
b1:	120,0 mm
b2:	82,0 mm
d1:	42,0 mm
d2:	43,0 mm
d3:	34,0 mm

Application on solid timber and cover frames



**Material:**  
**Bushes:** Polyamide  
**Internal mechanical components:** zamak  
**Pin:** steel or stainless steel

**Finishing** Zinc

**Surface treatment** Zinc min. 5  $\mu$

**Corrosion resistance in accordance to standard UNI EN 1670** Zinc: min.120 hours

Test in accordance to RAL Norm

**Load capacity per hinge** 40 Kg

Designation according to standards UNI EN 1935

3	7	4	1	1	3	0	11
---	---	---	---	---	---	---	----

**Product Management:**

**Signature:**

**Date 30.06.2011**

ISO 9001 : 2008 Quality Management System