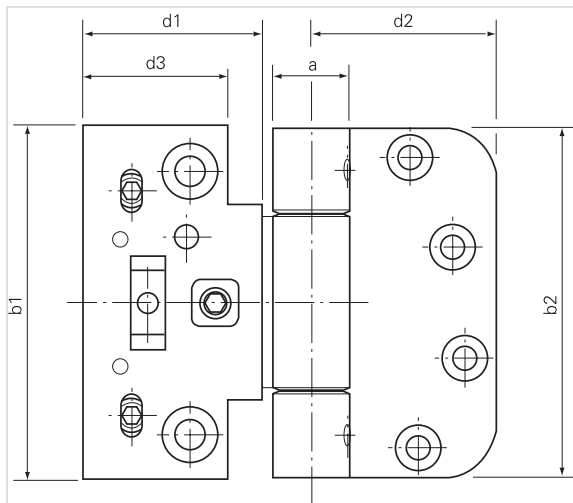


Technical data for hinge

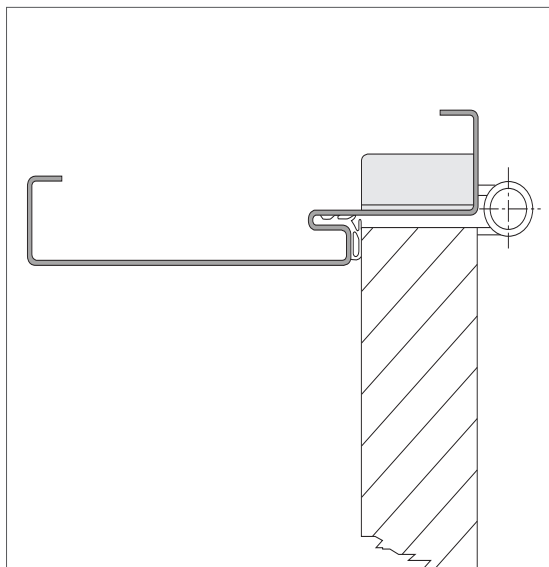
Just 3D-000

SFS intec



a:	18,0 mm
b1:	83,0 mm
b2:	82,0 mm
d1:	42,0 mm
d2:	43,0 mm
d3:	34,0 mm

Application on steel frame and timber door



Material:
Bushes: Polyamide
Internal mechanical components: zamak
Pin: steel or stainless steel

Finishing Zinc

Surface treatment Zinc min. 5 μ

Corrosion resistance in accordance to standard UNI EN 1670 Zinc: min.120 hours

Test in accordance to RAL Norm

Load capacity per hinge 40 Kg

Designation according to standards UNI EN 1935

3	7	4	1	1	3	0	11
---	---	---	---	---	---	---	----

Product Management:

Signature:

Date 30.06.2011

ISO 9001 : 2008 Quality Management System