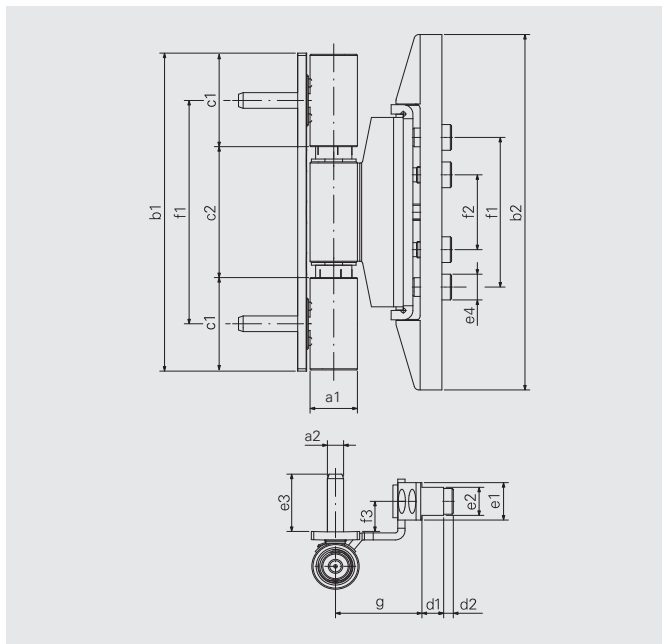


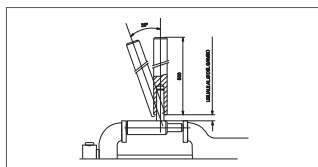
Technical data for hinge

Dynamic 3D Ø 20/01 mm

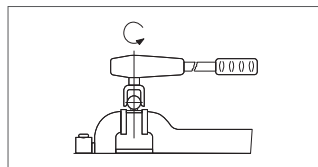
SFS intec



a1:	20 mm	e3:	24,5 mm
a2:	6,7 mm	e4:	11 mm
b1:	136 mm	f1:	64 mm
b2:	152 mm	f2:	32 mm
c1:	39,5 mm	f3:	13 mm
c2:	56 mm	g:	34 mm
d1:	9 mm		
d2:	4 mm		
e1:	20 mm		
e2:	12 mm		



After bending the welded bolt through 20° the weld must remain intact (no fracture)



Applying a force to the body of the hinge with a torque meter, the weld should not break before 50 Nm

Material: Steel + Zamak

Finishing	Powder coated
Surface treatment	zinc min. 5 µ Powder coated Polyester min. 100/120 µ
Corrosion resistance in accordance to standard UNI EN 1670	min.1000 ore

Test in accordance to RAL Norm	
Door weight with 2 hinges	160 Kg

Product Management:

Signature:

Date 20.04.2015

ISO 9001 : 2008 Quality Management System