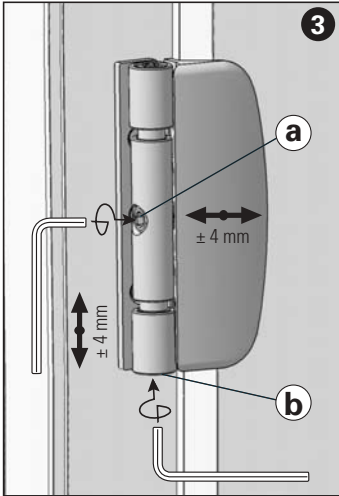
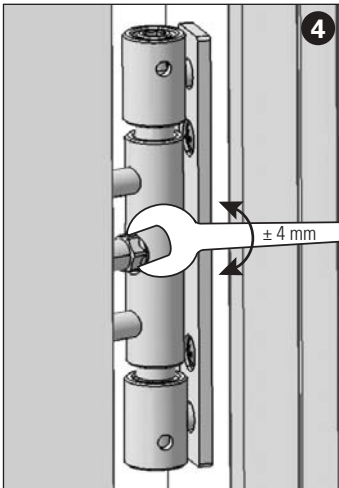


## Adjustment instructions

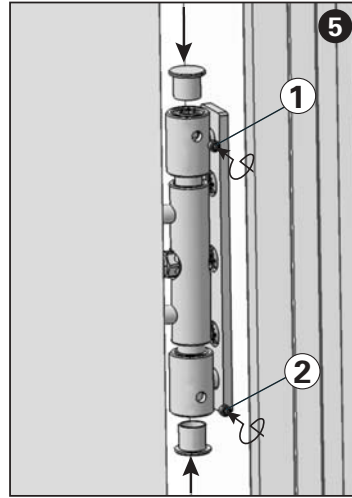


**Horizontal adjustment:**  
adjust by turning screw **a**  
with a 5 mm Allen Key.  
**Height adjustment:**  
adjust by turning screw **b**  
with a 5 mm Allen Key.

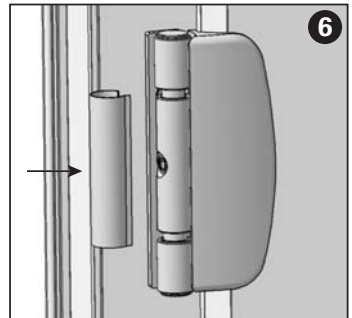


In difficult situations it is possible  
to have the horizontal adjustment from  
inside turning the hexagonal recess  
with the special key.

## Adjustment instructions



Fit the caps and fasten the security  
screws 1 and 2



Fit the cover cap on the central  
ring (sash part)

**SFS** intec

Fitting and adjustment instructions  
Dynamic 2D

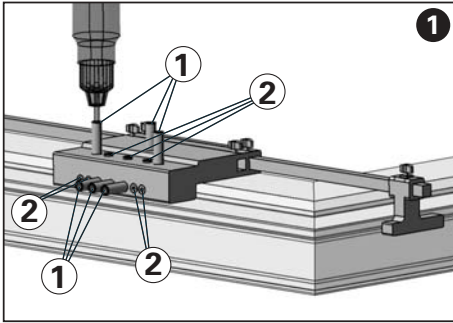


HT 0.00.05

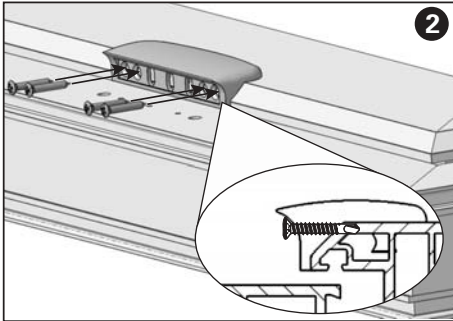
I-33074 Fontanafredda PN / Via Monti 24 / it.fontanafredda@sfsintec.biz / www.sfsintec.biz/it

**SFS** intec

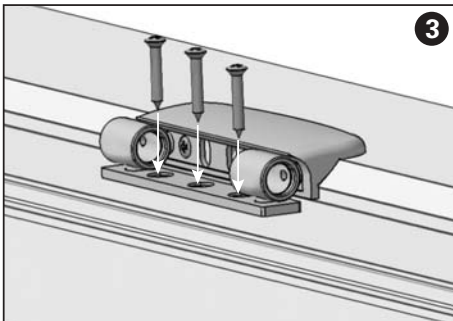
### Fitting instructions



1 Fix the jig in the right position. Drill in correspondence of bushes 1 with a drill bit  $\varnothing 7,2$  mm and in correspondence bushes 2 with a drill bit  $\varnothing 3,0$  mm.

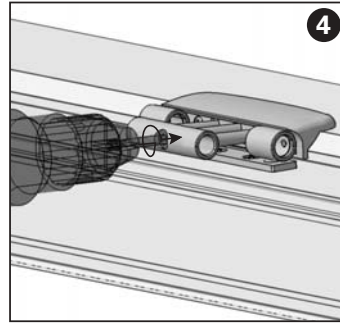


2 Fasten the sash plate with screws M 3,9 x 38 mm.

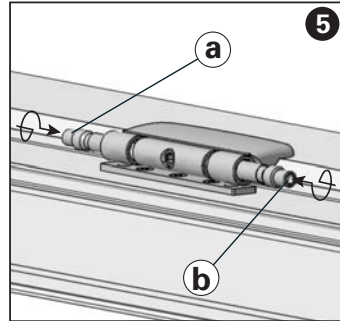


3 Fasten the frame plate with fastener 3,9 x 38 mm. **IMPORTANT:** trim the holes of the rings towards the sash plate.

### Fitting instructions



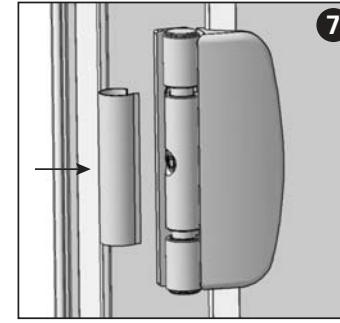
4 Twist in the central ring lining it to the lateral rings.



5 Twist in pin **a** flush fit to the upper ring. Twist in pin **b** till it touches the central ring.

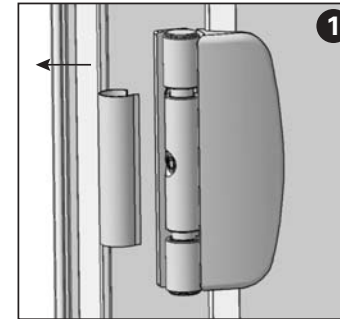
Fit the caps and fasten the security screws 1 and 2

### Fitting instructions

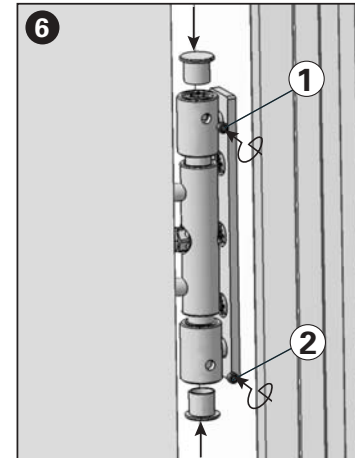


7 Fit the cover cap on the central ring (sash part)

### Adjustment instructions



1 Remove the cover cap



Unscrew the security screws and remove the caps

