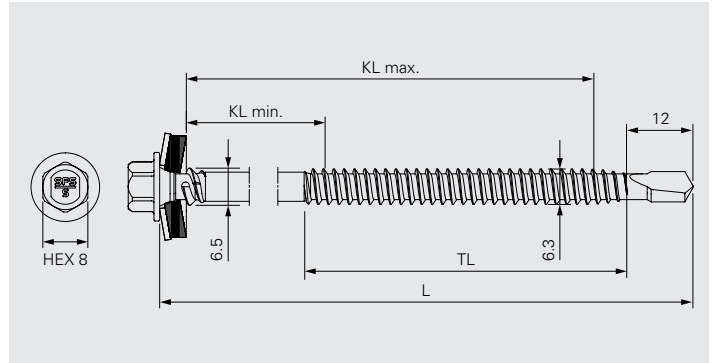
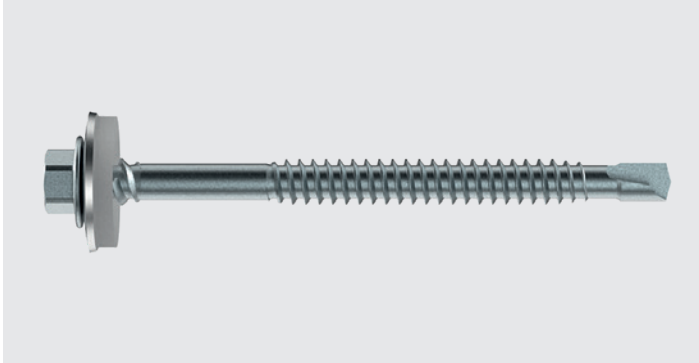


SXC5-6.3



Application

Fastening of sandwich panels onto metal profiles
 Fastening of sandwich panels onto timber
 Fastening of profile sheets onto metal profiles
 Fastening of profile sheets onto timber

Fastener material

Austenitic stainless steel A2/A4
 Sealing washer: Austenitic stainless steel A2/A4, EPDM-seal

Component 1 (t_I)

Sandwich panel

Component 2 (t_{II})

Steel
 Steel
 Timber

1.0–4.0
 2×0.75–2×2.70
 ≥35

$\Sigma_{\max} t_I + t_{II}$

5.0
 6.50
 –

Approvals

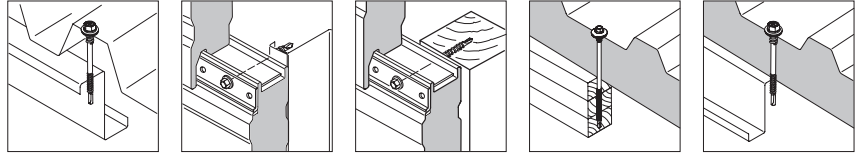
ETA-13/0183

Features and Benefits

- Self drilling fastener suitable for installation of sandwich panels
- High quality soft EPDM sealing washer for long-term weather sealing
- Thread free zone preventing top thread stripping in panel outerskin
- Optimized support function achieved by engineered double support thread
- Easy drilling through overlapped metal profiles given by the long drill point
- High bending capacity for absorption of thermal expansion of the sandwich panel outer-skin
- High tension resistance achieved by optimized fastener geometry

Documentation

Approval document (ETA) | Declaration of performance (DoP)

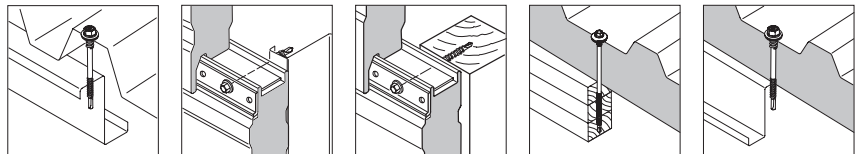


Fastener in A2 onto steel and timber

Product code	PU	L	Steel KL	Timber KL	S16	S19
SXC5-S19-6,3×80-A2	100	80	33-53	18-31	1573397	1573583
SXC5-S19-6,3×100-A2	100	100	43-73	28-51	1573398	1573584
SXC5-S19-6,3×120-A2	100	120	53-93	38-71	1573400	1573585
SXC5-S19-6,3×140-A2	100	140	73-113	58-91	1573411	1573586
SXC5-S19-6,3×160-A2	100	160	93-133	78-111	1573414	1573587
SXC5-S19-6,3×190-A2	100	190	113-163	98-141	1573415	1573588
SXC5-S19-6,3×220-A2	100	220	143-193	128-171	1573416	1573590
SXC5-S19-6,3×250-A2	100	250	173-223	158-201	1573417	1573591
SXC5-S19-6,3×290-A2	100	290	213-263	198-241	1573418	1573592

Material numbers shown are for mill finish items, contact a member of the team for painted variant codes.

Product is available with S29 washer, please contact a member of the team for material number.

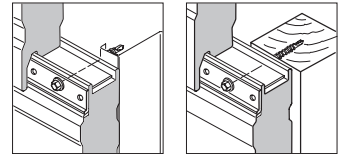


Fastener in A4 onto steel and timber

Product code	PU	L	Steel KL	Timber KL	S16	S19
SXC5-S19-6,3×80-A4	100	80	33-53	18-31	1599990	1600001
SXC5-S19-6,3×100-A4	100	100	43-73	28-51	1600005	1600007
SXC5-S19-6,3×120-A4	100	120	53-93	38-71	1600022	1600023
SXC5-S19-6,3×140-A4	100	140	73-113	58-91	1600026	1600027
SXC5-S19-6,3×160-A4	100	160	93-133	78-111	1600042	1600043
SXC5-S19-6,3×190-A4	100	190	113-163	98-141	1600047	1600049
SXC5-S19-6,3×220-A4	100	220	143-193	128-171	1600055	1600056
SXC5-S19-6,3×250-A4	100	250	173-223	158-201	1600059	1600064
SXC5-S19-6,3×290-A4	100	290	213-263	198-241	1600078	1600080
SXC5-S19-6,3×345-A4	100	345	268-318	254-296	1600140	1600161

Material numbers shown are for mill finish items, contact a member of the team for painted variant codes.

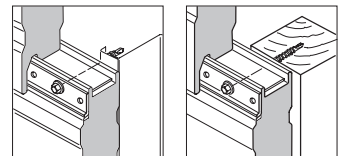
Product is available with S29 washer, please contact a member of the team for material number.



Fastener in A2 onto steel and timber

Product code	PU	L	Steel KL	Timber KL	No washer
SXC5-6,3×80-A2	100	80	36-56	33-53	1599843
SXC5-6,3×100-A2	100	100	46-76	43-73	1599844
SXC5-6,3×120-A2	100	120	56-96	53-93	1599847
SXC5-6,3×140-A2	100	140	76-116	73-113	1599848
SXC5-6,3×160-A2	100	160	96-136	93-133	1599851
SXC5-6,3×190-A2	100	190	116-166	113-163	1599857
SXC5-6,3×220-A2	100	220	146-196	143-193	1599859
SXC5-6,3×250-A2	100	250	176-226	173-223	1599860
SXC5-6,3×290-A2	100	290	216-266	213-263	1599871

Material numbers shown are for mill finish items, contact a member of the team for painted variant codes.



Fastener in A4 onto steel and timber

Product code	PU	L	Steel KL	Timber KL	No washer
SXC5-6,3×80-A4	100	80	36-56	33-53	1600004
SXC5-6,3×100-A4	100	100	46-76	43-73	1600010
SXC5-6,3×120-A4	100	120	56-96	53-93	1600025
SXC5-6,3×140-A4	100	140	76-116	73-113	1600029
SXC5-6,3×160-A4	100	160	96-136	93-133	1600045
SXC5-6,3×190-A4	100	190	116-166	113-163	1600052
SXC5-6,3×220-A4	100	220	146-196	143-193	1600058
SXC5-6,3×250-A4	100	250	176-226	173-223	1600073
SXC5-6,3×290-A4	100	290	216-266	213-263	1600137
SXC5-6,3×345-A4	100	345	268-318	265-315	1600185

Material numbers shown are for mill finish items, contact a member of the team for painted variant codes.



Accessories/Ancillaries

Product code	PU	
ZA 1/4*	1	1162306
Socket E380*	1	8018
Socket E480	1	688056

*Socket E380 needs to be used in conjunction with the ZA1/4 drive bar.