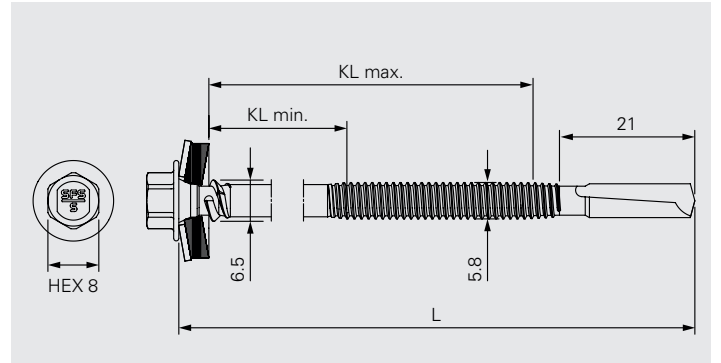
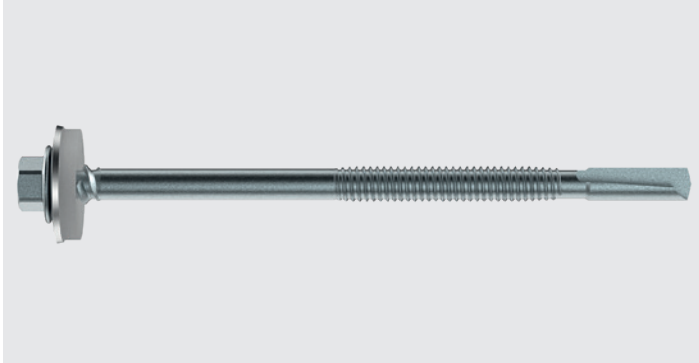


SXC16-5.8



Application

Fastening of sandwich panels onto steel metal beams
Fastening of profile sheets onto steel metal beams

Component 1 (t _I)	Component 2 (t _{II})	$\Sigma_{\max} t_I + t_{II}$
Sandwich panel	Steel 3.0–14.0	16.0

Fastener material

Austenitic stainless steel A2/A4
Sealing washer: Austenitic stainless steel A2/A4, EPDM-seal

Approvals

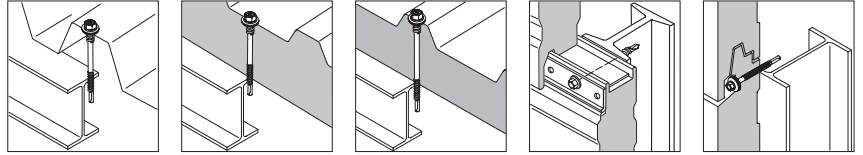


Features and Benefits

- Self drilling fastener suitable for installation of sandwich panels
- High quality soft EPDM sealing washer for long-term weather sealing
- Thread free zone preventing top thread stripping in panel outerskin
- Optimized support function achieved by engineered double support thread
- High performance drill point for heavy steel beams
- High bending capacity for absorption of thermal expansion of the sandwich panel outer-skin
- High tension resistance achieved by optimized fastener geometry
- Economical benefits given by less fastener needed and installation time savings

Documentation

Approval document (ETA) | Declaration of performance (DoP)

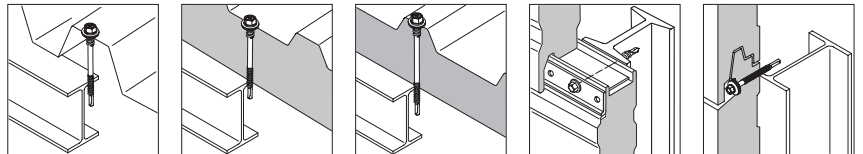


Fastener in A2 onto steel

Product code	PU	L	KL	S16	S19
SXC16-S19-5,8×90-A2	100	90	33–56	1573419	1573595
SXC16-S19-5,8×110-A2	100	110	43–76	1573420	1573596
SXC16-S19-5,8×130-A2	100	130	53–96	1573441	1573597
SXC16-S19-5,8×150-A2	100	150	73–116	1573443	1573707
SXC16-S19-5,8×170-A2	100	170	93–136	1573445	1573709
SXC16-S19-5,8×200-A2	100	200	113–166	1573446	1573710
SXC16-S19-5,8×230-A2	100	230	143–196	1573447	1573712
SXC16-S19-5,8×260-A2	100	260	173–226	1573448	1573714
SXC16-S19-5,8×300-A2	100	300	213–266	1573450	1573715

Material numbers shown are for mill finish items, contact a member of the team for painted variant codes.

Product is available with S29 washer, please contact a member of the team for material number.



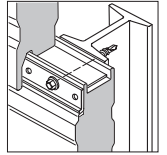
Fastener in A4 onto steel

Product code	PU	L	KL	S16	S19
SXC16-S19/A4-5,8×90-A4	100	90	33–56	1613574	1613558
SXC16-S19/A4-5,8×110-A4	100	110	43–76	1613594	1613595
SXC16-S19/A4-5,8×130-A4	100	130	53–96	1613602	1613603
SXC16-S19/A4-5,8×150-A4	100	150	73–116	1613606	1613607
SXC16-S19/A4-5,8×170-A4	100	170	93–136	1613622	1613623
SXC16-S19/A4-5,8×200-A4	100	200	113–166	1613693	1613694
SXC16-S19/A4-5,8×230-A4	100	230	143–196	1613699	1613707
SXC16-S19/A4-5,8×260-A4	100	260	173–226	1613711	1613712
SXC16-S19/A4-5,8×300-A4	100	300	213–266	1613720	1614801
SXC16-S19/A4-5,8×355-A4	100	355	268–321	1614805	1606472

Material numbers shown are for mill finish items, contact a member of the team for painted variant codes.

Product is available with S29 washer, please contact a member of the team for material number.

Without approval

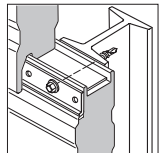


Fastener in A2 onto steel

Product code	PU	L	KL	No washer
SXC16-5,8×90-A2	100	90	36–59	1615954
SXC16-5,8×110-A2	100	110	46–79	1615960
SXC16-5,8×130-A2	100	130	56–99	1615963
SXC16-5,8×150-A2	100	150	76–119	1615978
SXC16-5,8×170-A2	100	170	96–139	1616036
SXC16-5,8×200-A2	100	200	116–169	1616046
SXC16-5,8×230-A2	100	230	146–199	1616051
SXC16-5,8×260-A2	100	260	176–229	1616090
SXC16-5,8×300-A2	100	300	216–269	1616112

Material numbers shown are for mill finish items, contact a member of the team for painted variant codes.

Without approval



Fastener in A4 onto steel

Product code	PU	L	KL	No washer
SXC16-5,8×90-A4	100	90	36–59	1613577
SXC16-5,8×110-A4	100	110	46–79	1613600
SXC16-5,8×130-A4	100	130	56–99	1613605
SXC16-5,8×150-A4	100	150	76–119	1613609
SXC16-5,8×170-A4	100	170	96–139	1613630
SXC16-5,8×200-A4	100	200	116–169	1613697
SXC16-5,8×230-A4	100	230	146–199	1613709
SXC16-5,8×260-A4	100	260	176–229	1613717
SXC16-5,8×300-A4	100	300	216–269	1614804
SXC16-5,8×355-A4	100	355	271–324	1606471

Material numbers shown are for mill finish items, contact a member of the team for painted variant codes.



Accessories/Ancillaries

Product code	PU	
ZA 1/4*	1	1162306
Socket E380*	1	8018
Socket E480	1	688056

*Socket E380 needs to be used in conjunction with the ZA1/4 drive bar.